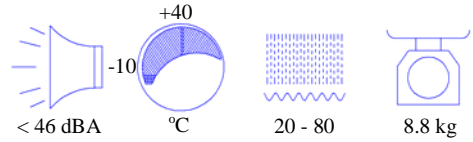
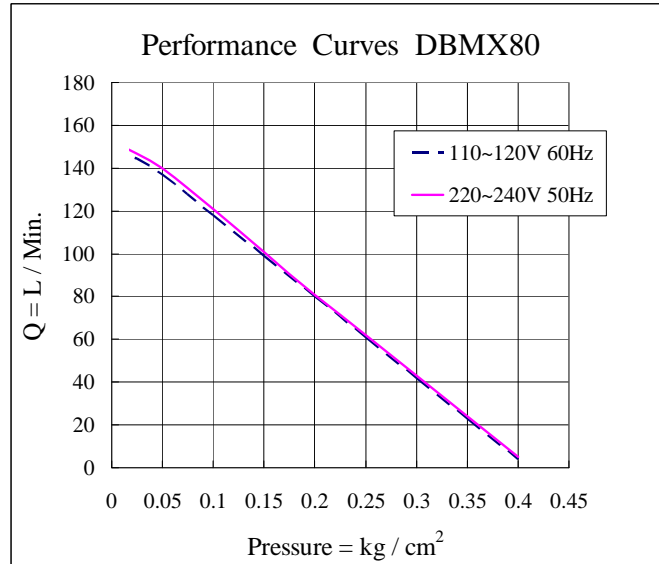


Model No. DBMX80

Performance / Rendimiento / Prestanda

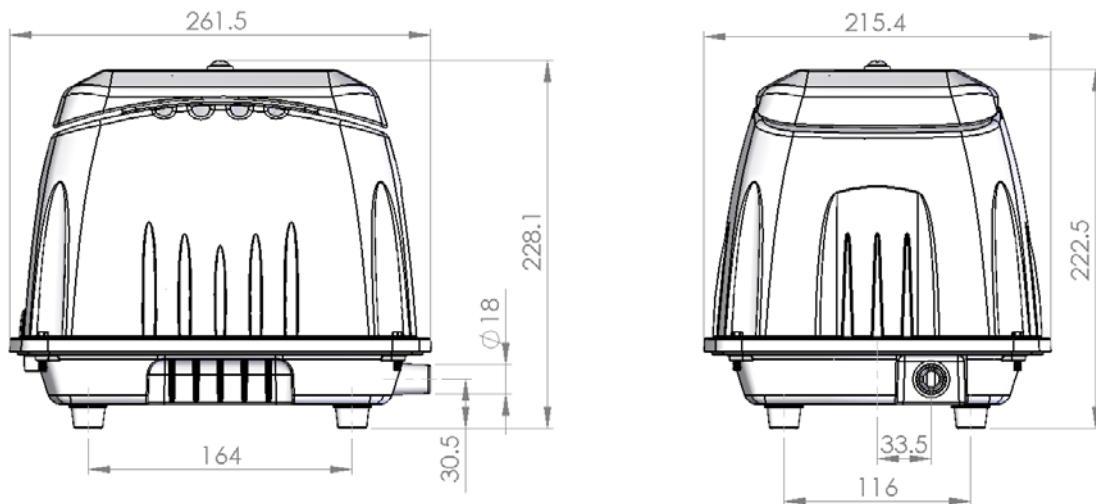


★ Allowance : $\pm 5\%$



Exhaust

Dimensions / Dimensioner (mm)



Operating range : 0.1 to 0.25 kg/cm²

Model No.	Voltage (VAC)	Frequency (HZ)	Rated Pressure (kg/cm ²)	Airflow (LPM)	AMP (A)	WATT (W)
DBMX80	110 ~ 120	60	0.18	83	1.1	71
DBMX80	220 ~ 240	50	0.18	83	0.52	68

Diann Bao Inc.

www.airmac.com.tw

✉ E-mail: airmac@airmac.com.tw

☎ Tel: +886-4-7621838

☎ Fax: +886-4-7617617