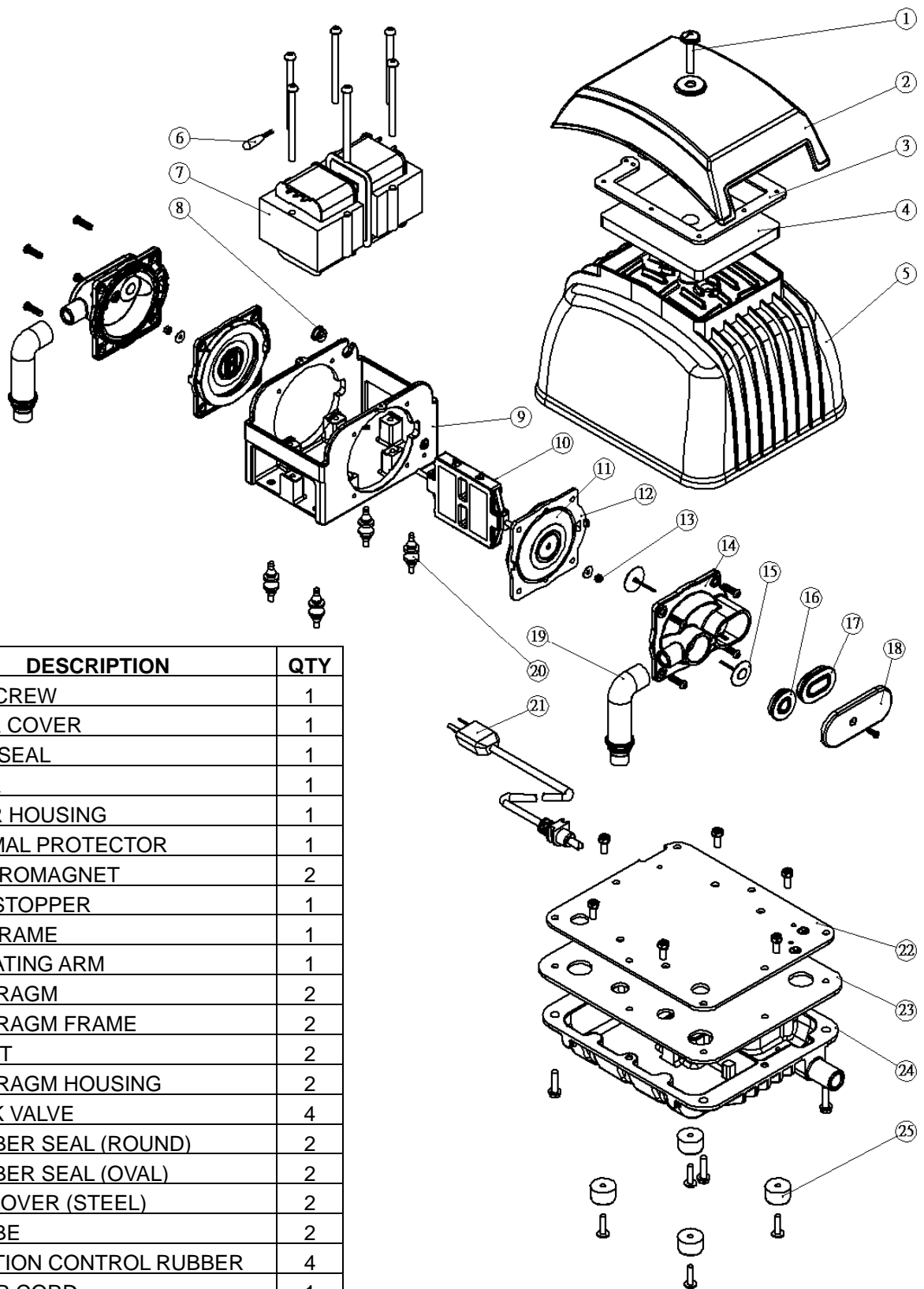


DB version series 60 - 80



NO.	DESCRIPTION	QTY
1	TOP SCREW	1
2	FILTER COVER	1
3	FOAM SEAL	1
4	FILTER	1
5	UPPER HOUSING	1
6	THERMAL PROTECTOR	1
7	ELECTROMAGNET	2
8	WIRE STOPPER	1
9	COIL FRAME	1
10	ACTIVATING ARM	1
11	DIAPHRAGM	2
12	DIAPHRAGM FRAME	2
13	U - NUT	2
14	DIAPHRAGM HOUSING	2
15	CHECK VALVE	4
16	CHAMBER SEAL (ROUND)	2
17	CHAMBER SEAL (OVAL)	2
18	SIDE COVER (STEEL)	2
19	L - TUBE	2
20	VIBRATION CONTROL RUBBER	4
21	POWER CORD	1
22	STEEL PLATE	1
23	GASKET	1
24	LOWER HOUSING	1
25	RUBBER FEET	4