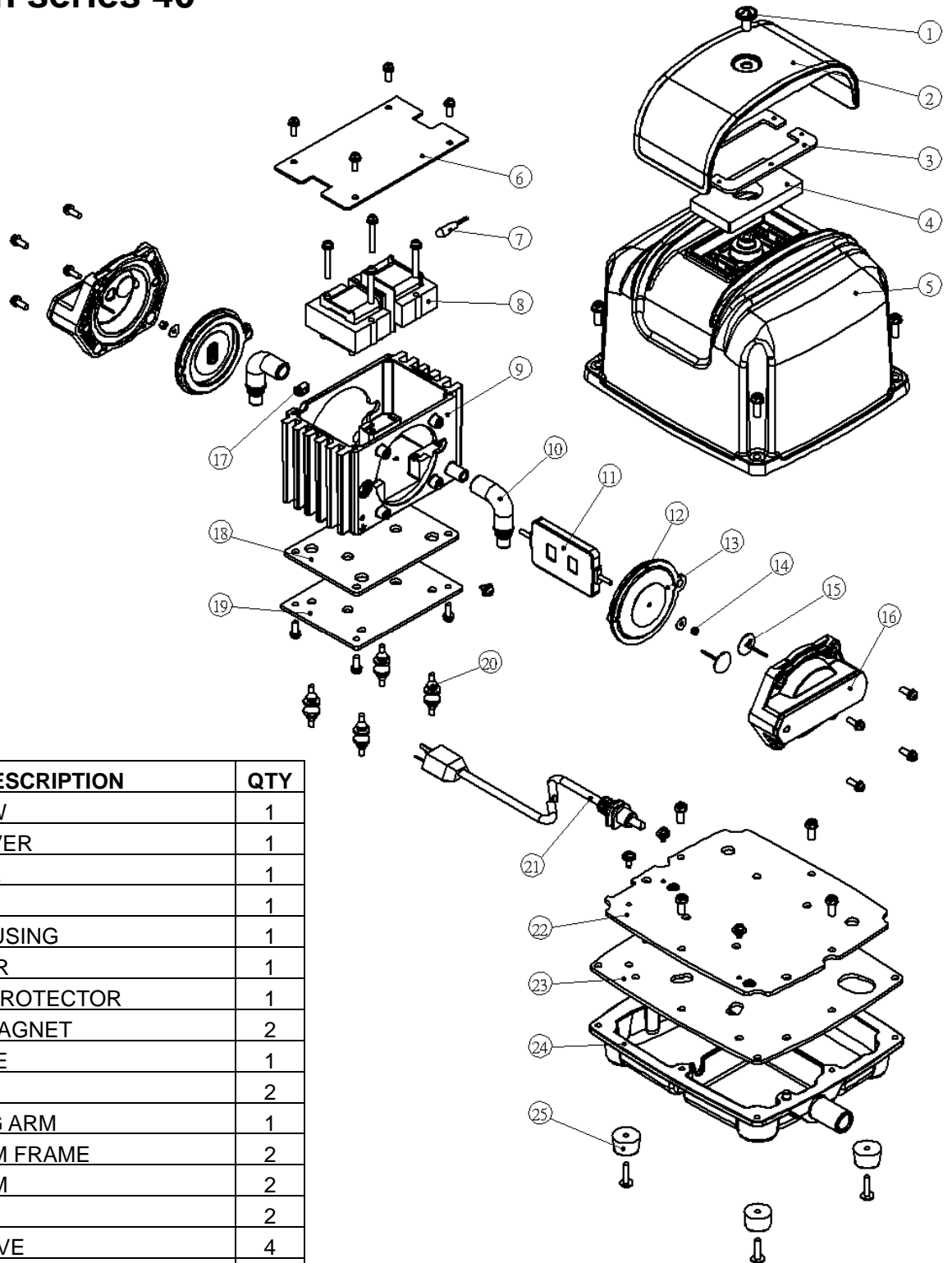


DT version series 40



NO.	DESCRIPTION	QTY
1	TOP SCREW	1
2	FILTER COVER	1
3	FOAM SEAL	1
4	FILTER	1
5	UPPER HOUSING	1
6	COIL COVER	1
7	THERMAL PROTECTOR	1
8	ELECTROMAGNET	2
9	COIL FRAME	1
10	L-TUBE	2
11	ACTIVATING ARM	1
12	DIAPHRAGM FRAME	2
13	DIAPHRAGM	2
14	U - NUT	2
15	CHECK VALVE	4
16	DIAPHRAGM HOUSING	2
17	WIRE STOPPER	1
18	GASKET - 1	1
19	STEEL PLATE - 1	1
20	VIBRATION CONTROL RUBBER	4
21	POWER CORD	1
22	STEEL PLATE - 2	1
23	GASKET - 2	1
24	LOWER HOUSING	1
25	RUBBER FEET	4