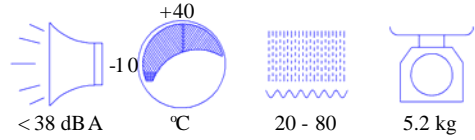
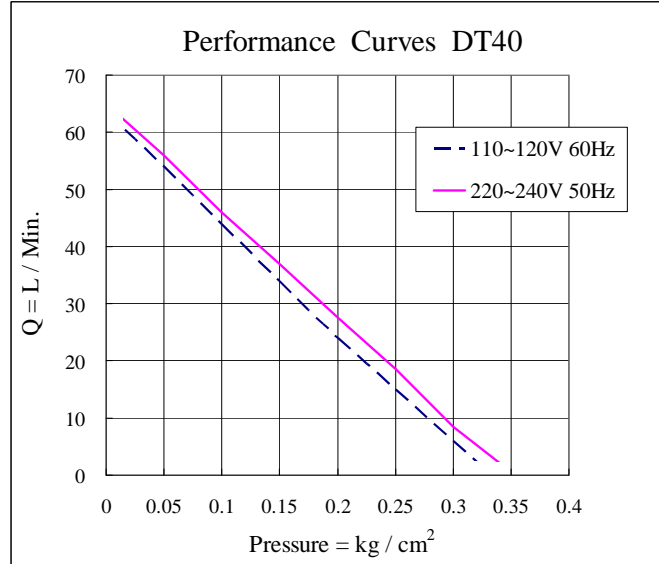


Model No. DT40

Performance / Rendimiento / Prestanda

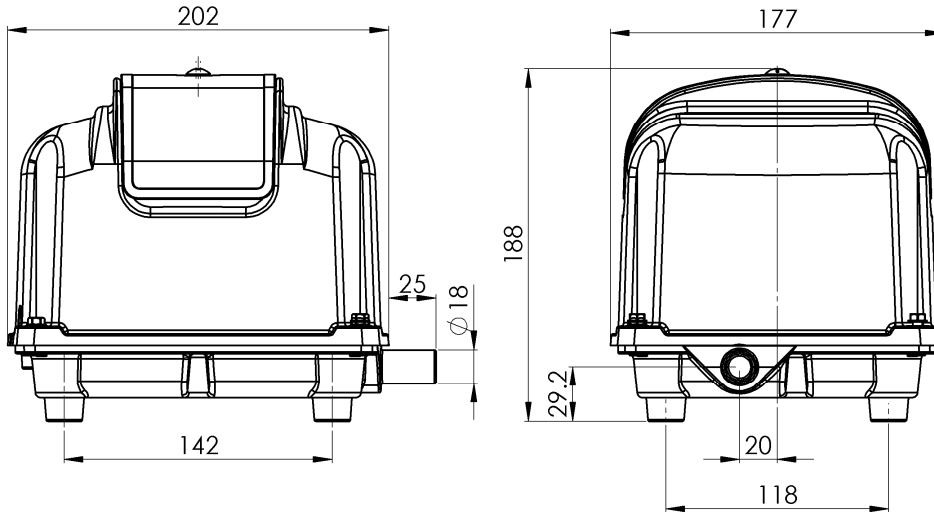


★ Allowance : ±5%



Exhaust

Dimensions / Dimensioner (mm)



Operating range : 0.05 to 0.2 kg/cm²

Model No.	Voltage (VAC)	Frequency (HZ)	Rated Pressure (kg/cm ²)	Airflow (LPM)	AMP (A)	WATT (W)
DT40	110~120	60	0.13	40	0.4	30
DT40	220~240	50	0.13	40	0.24	36

Diann Bao Inc.

www.airmac.com.tw

✉ E-mail: airmac@airmac.com.tw

☎ Tel: +886-4-7621838

☎ Fax: +886-4-7617617