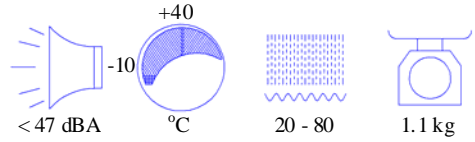
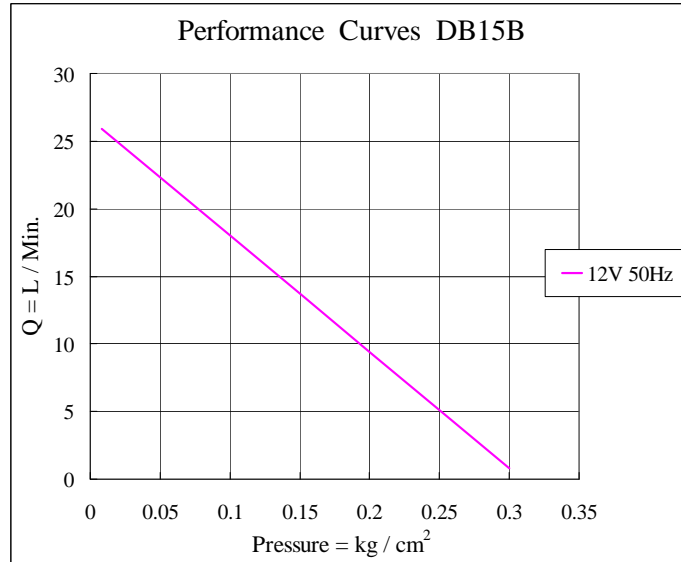


Model No. DB15B

Performance / Rendimiento / Prestanda

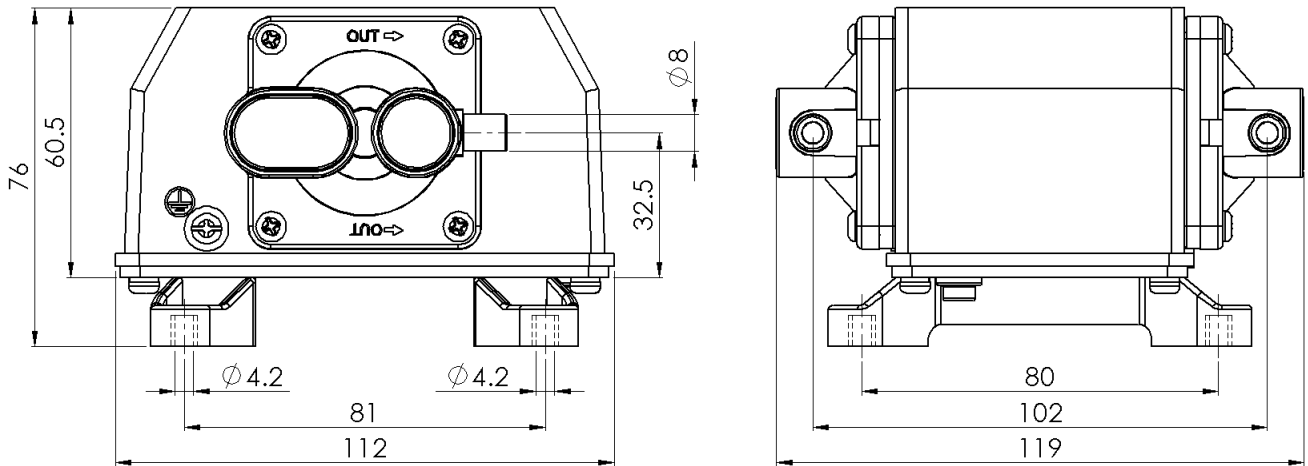


★ Allowance : ±5%



Exhaust

Dimensions / Dimensioner (mm)



Model No.	Voltage (VAC)	Frequency (HZ)	Rated Pressure (kg/cm ²)	Airflow (LPM)	AMP (A)	WATT (W)
DB15B	12	50	0.1	18	3	19

Diann Bao Inc.

www.airmac.com.tw

✉ E-mail: airmac@airmac.com.tw

☎ Tel: +886-4-7621838

☎ Fax: +886-4-7617617