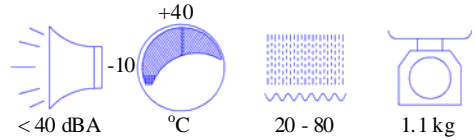
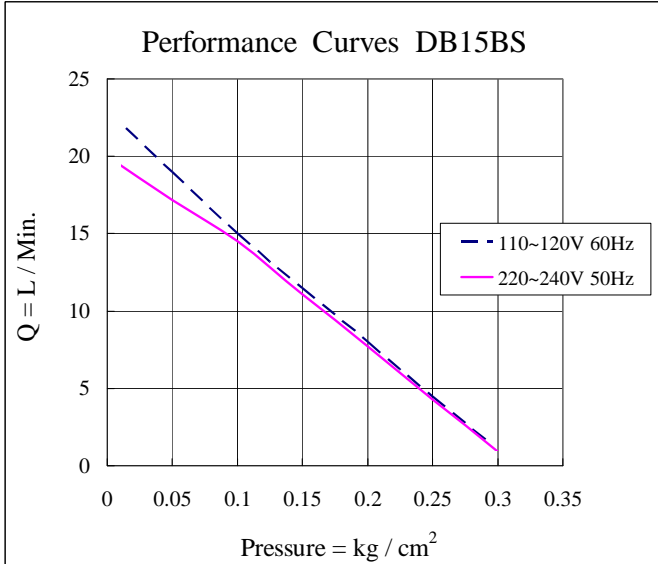


Model No. DB15BS

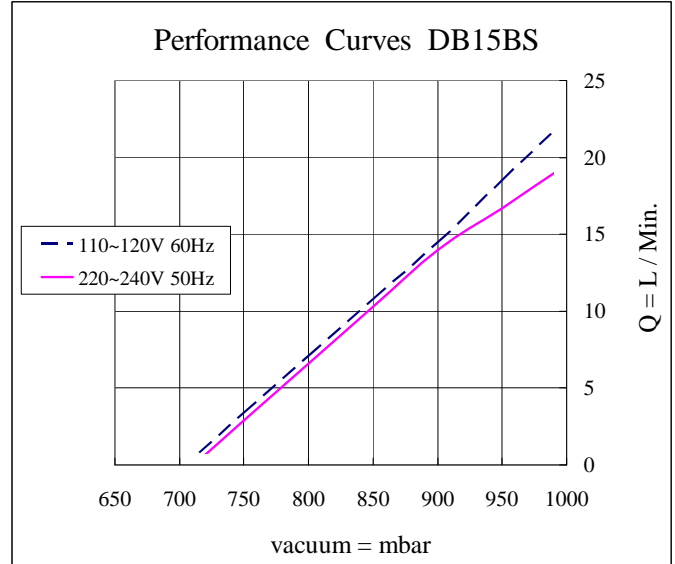
Performance / Rendimiento / Prestanda



★ Allowance : $\pm 5\%$

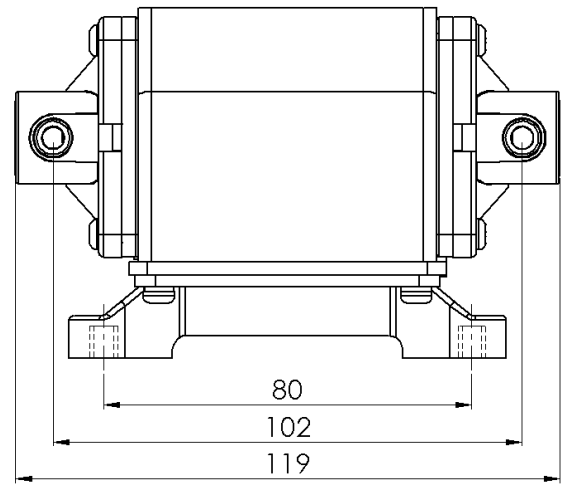
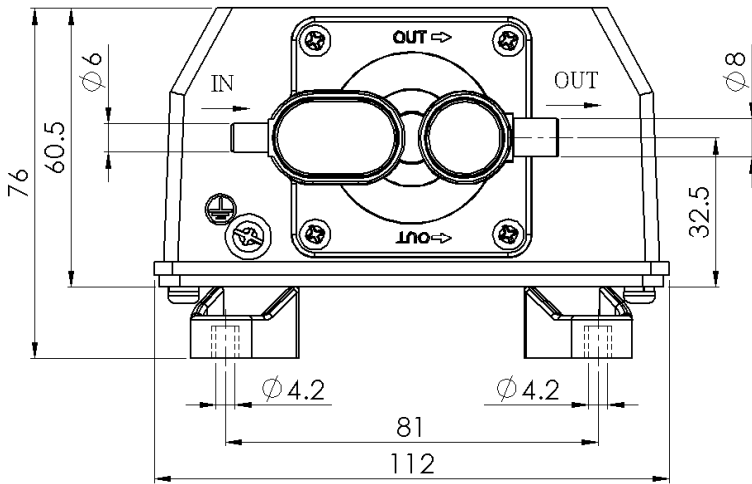


Exhaust



Vol.suction

Dimensions / Dimensioner (mm)



Operating range : 0.04 to 0.18 kg/cm²

Model No.	Voltage (VAC)	Frequency (HZ)	Rated Pressure (kg/cm ²)	Airflow (LPM)	AMP (A)	WATT (W)	Max. Vacuum (Milli bar)
DB15BS	110 ~ 120	60	0.1	15	0.38	19	290
DB15BS	220 ~ 240	50	0.1	15	0.2	21	280

Diann Bao Inc.

www.airmac.com.tw

✉ E-mail: airmac@airmac.com.tw

☎ Tel: +886-4-7621838

☎ Fax: +886-4-7617617