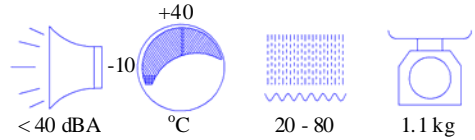
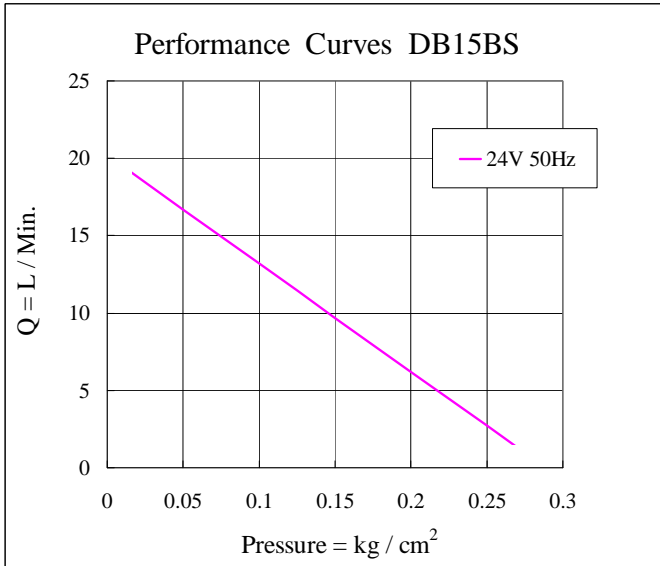


Model No. DB15BS 24V

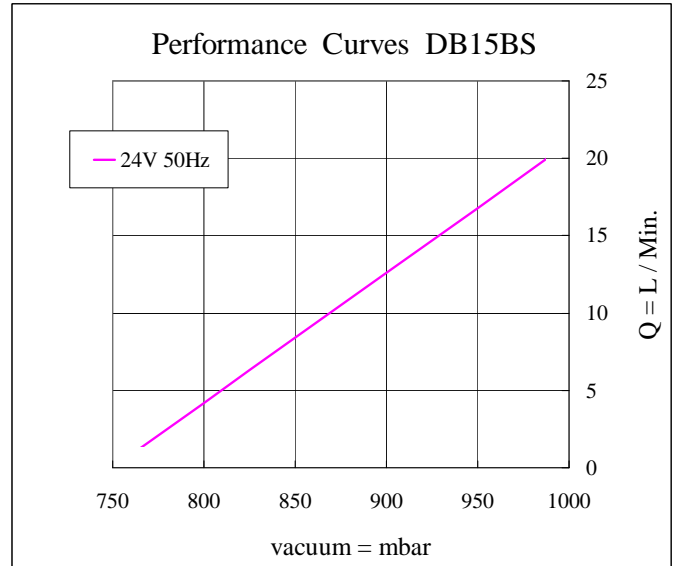
Performance / Rendimiento / Prestanda



★ Allowance : ±5%

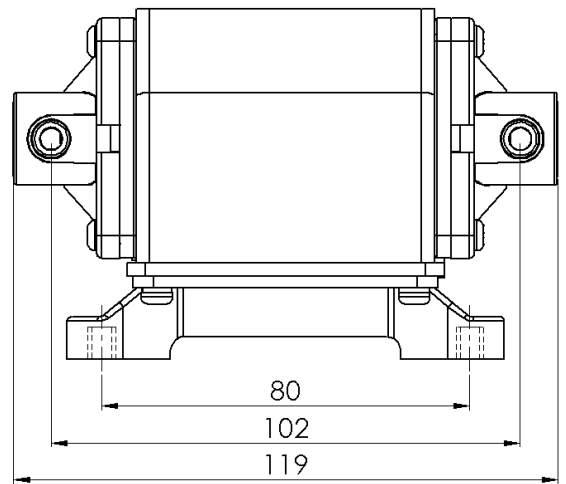
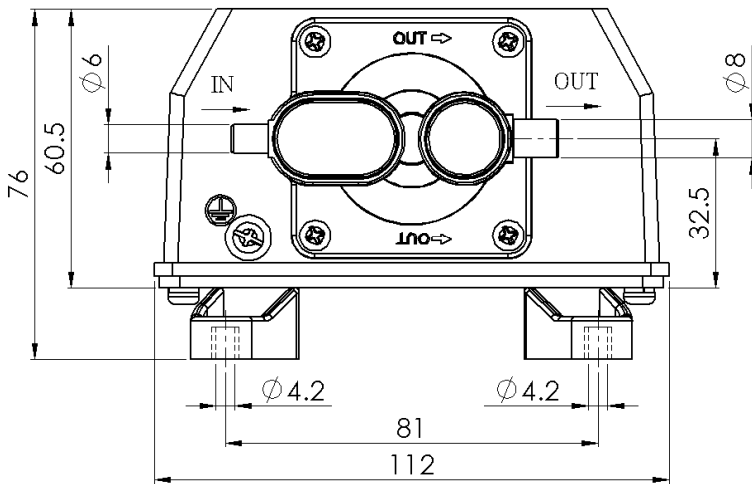


Exhaust



Vol.suction

Dimensions / Dimensioner (mm)



Model No.	Voltage (VAC)	Frequency (HZ)	Rated Pressure (kg/cm ²)	Airflow (LPM)	AMP (A)	WATT (W)	Max. Vacuum (Milli bar)
DB15BS 24V	24	50	0.1	13	1.5	15	240

Diann Bao Inc.

✉ E-mail: airmac@airmac.com.tw

☎ Tel: +886-4-7621838

☎ Fax: +886-4-7617617

www.airmac.com.tw