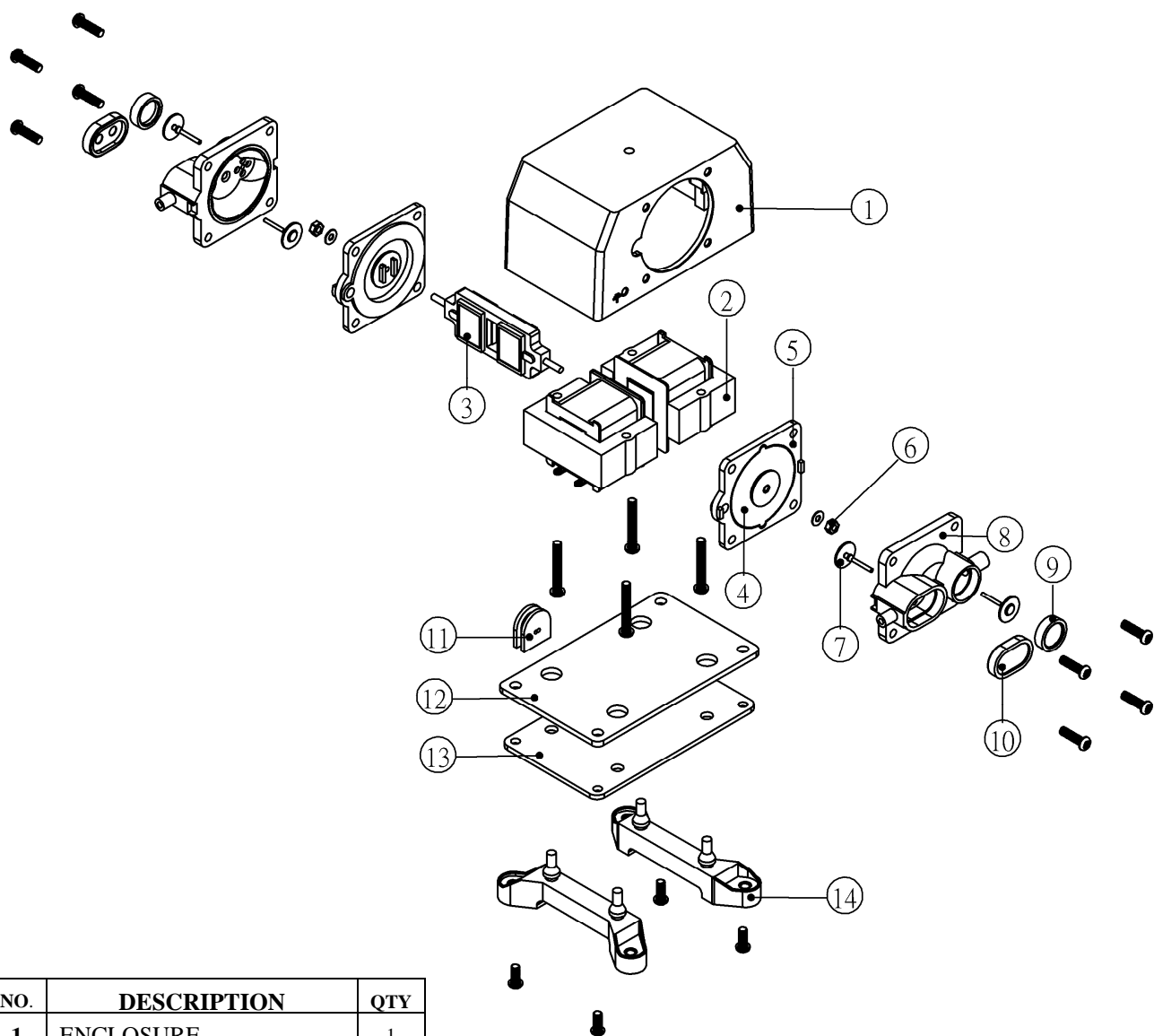


DB version series 8BS 、 15BS



NO.	DESCRIPTION	QTY
1	ENCLOSURE	1
2	ELECTORMAGNET	2
3	ACTIVATING ARM	1
4	DIAPHRAGM	2
5	DIAPHRAGM FRAME	2
6	U NUT	2
7	CHECK VALVE	4
8	DIAPHRAGM CHAMBER	2
9	CHAMBER SEAL(ROUND)	2
10	CHAMBER SEAL(OVAL)	2
11	CORD RELIEF	1
12	GASKET	1
13	STEEL PLATE	1
14	RUBBER FEET	2