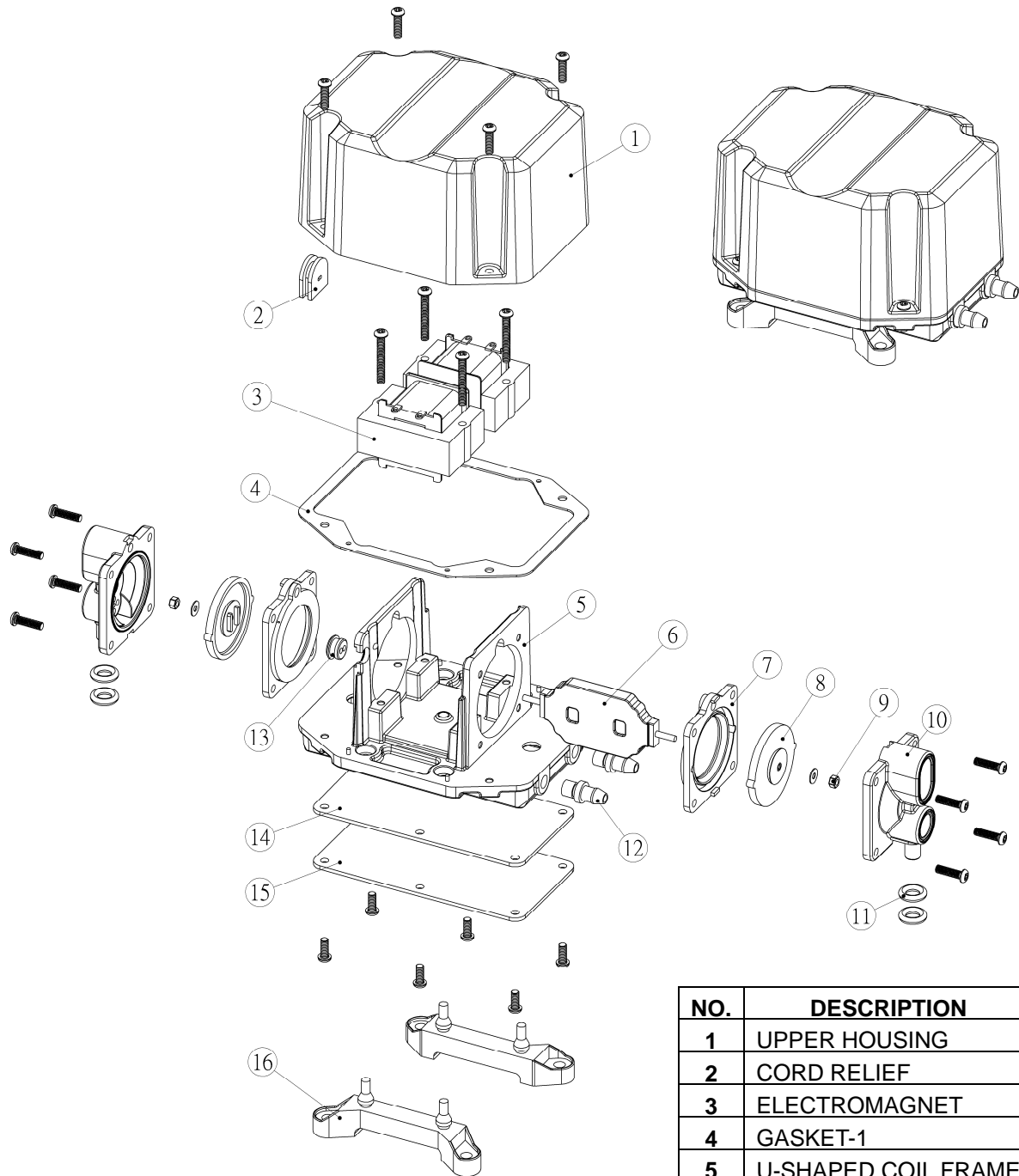


DBM20 version series



NO.	DESCRIPTION	QTY
1	UPPER HOUSING	1
2	CORD RELIEF	1
3	ELECTROMAGNET	2
4	GASKET-1	1
5	U-SHAPED COIL FRAME	1
6	ACTIVATING ARM	1
7	DIAPHRAGM FRAME	2
8	DIAPHRAGM	2
9	U NUT	2
10	DIAPHRAGM HOUSING	2
11	"O" RING	4
12	CONNECTING PORT	2
13	WIRE STOPPER	1
14	GASKET-2	1
15	STEEL PLATE	1
16	RUBBER FEET	2