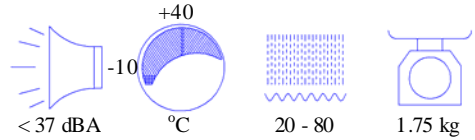
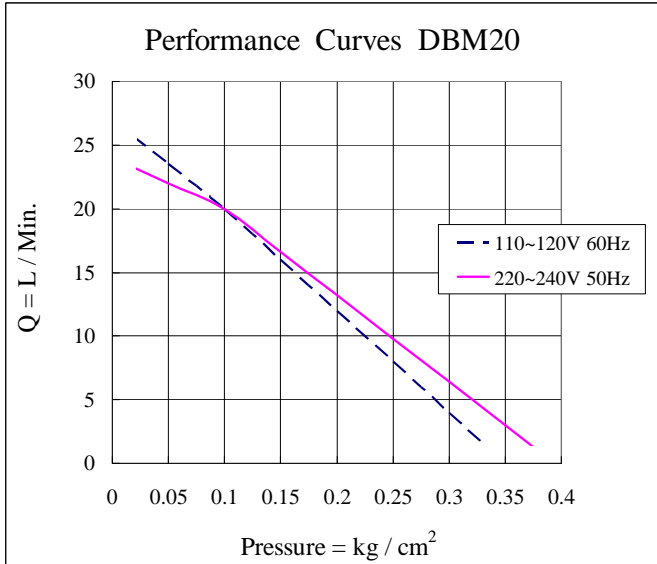


Model No. DBM20

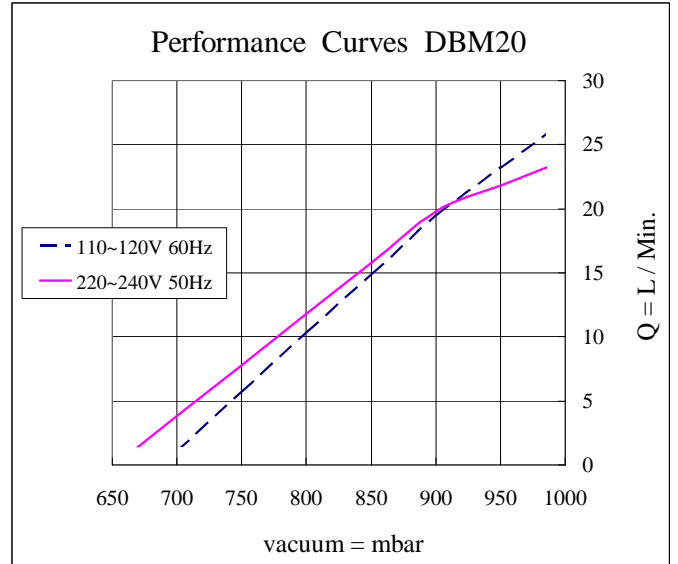
Performance / Rendimiento / Prestanda



★ Allowance : ±5%

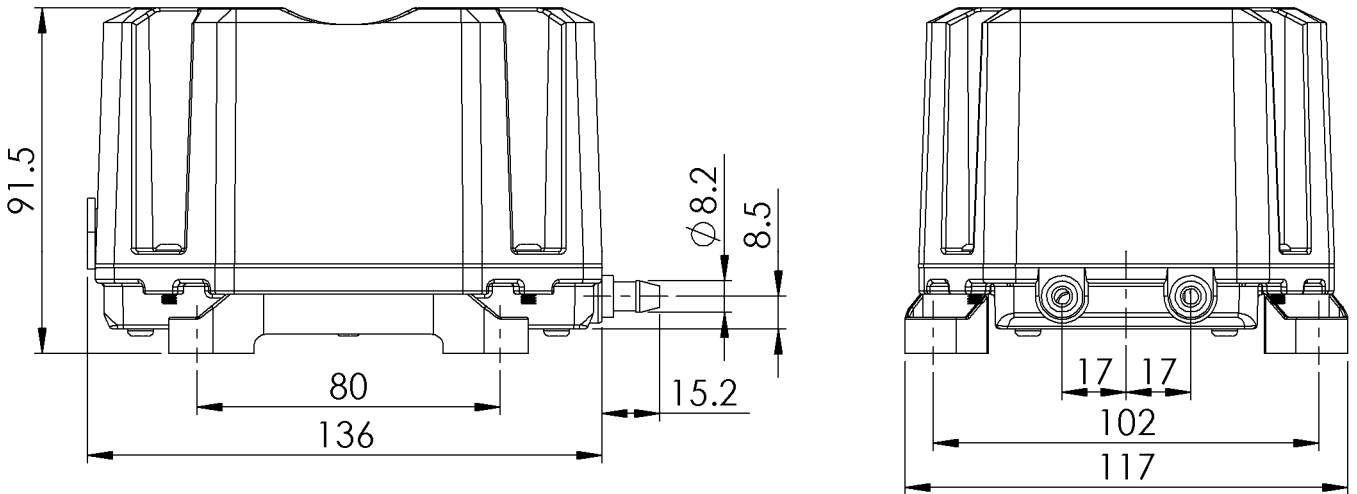


Exhaust



Vol.suction

Dimensions / Dimensioner (mm)



Model No.	Voltage (VAC)	Frequency (HZ)	Rated Pressure (kg/cm ²)	Airflow (LPM)	AMP (A)	WATT (W)	Max. Vacuum (Milli bar)
DBM20	110 ~ 120	60	0.1	20	0.17	15	310
DBM20	220 ~ 240	50	0.1	20	0.12	17	350

Diann Bao Inc.

www.airmac.com.tw

✉ E-mail: airmac@airmac.com.tw

☎ Tel: +886-4-7621838

☎ Fax: +886-4-7617617