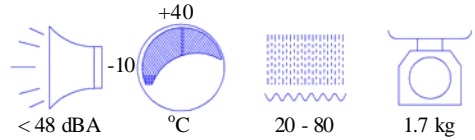
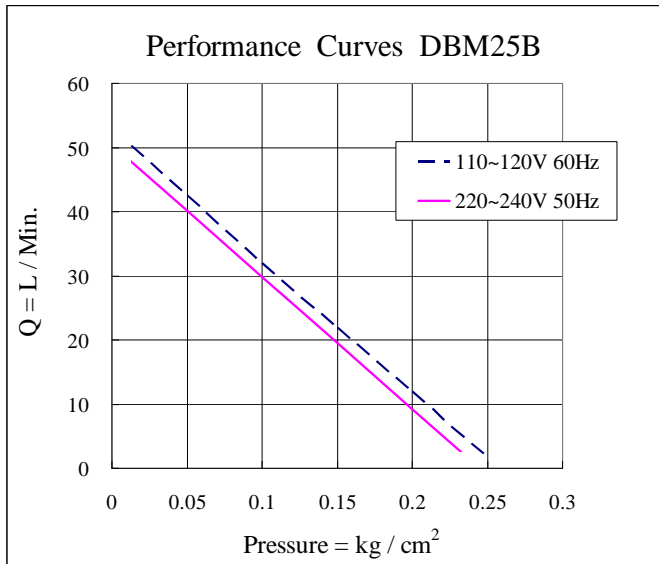


## Model No. DBM25B

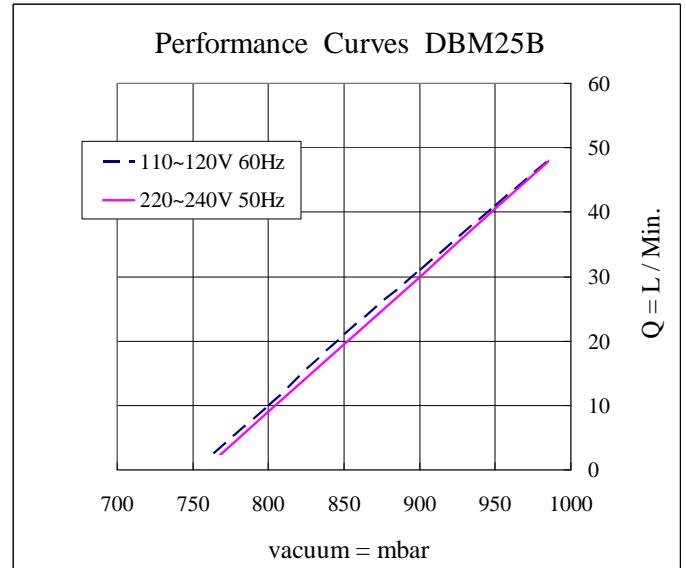
Performance / Rendimiento / Prestanda



★ Allowance : ±5%

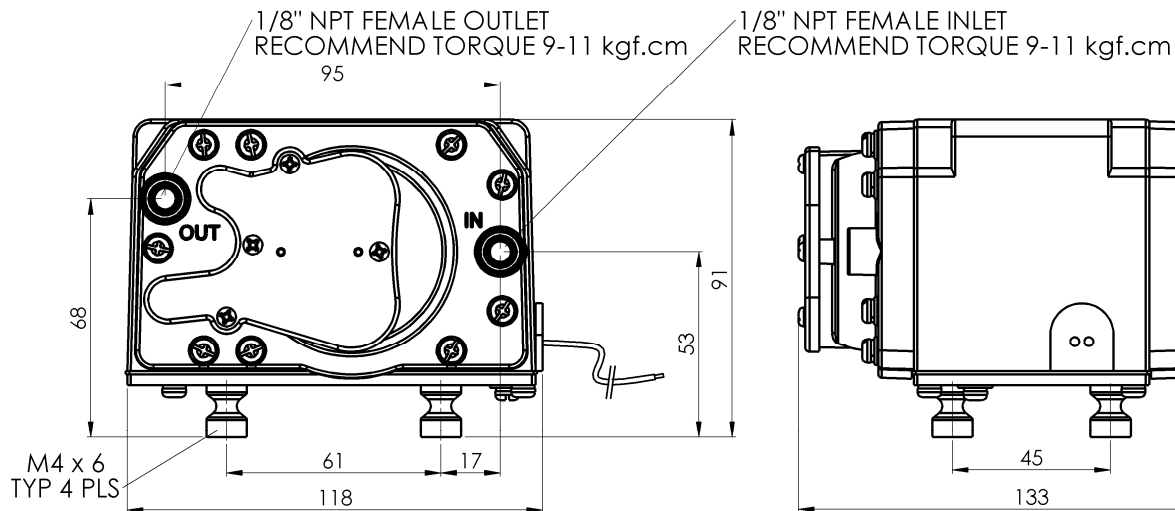


**Exhaust**



**Vol.suction**

Dimensions / Dimensioner ( mm )



| Model No. | Voltage (VAC) | Frequency (HZ) | Rated Pressure (kg/cm <sup>2</sup> ) | Airflow (LPM) | AMP (A) | WATT (W) | Max. Vacuum (Milli bar) |
|-----------|---------------|----------------|--------------------------------------|---------------|---------|----------|-------------------------|
| DBM25B    | 110 ~ 120     | 60             | 0.13                                 | 25            | 0.2     | 17       | 250                     |
| DBM25B    | 220 ~ 240     | 50             | 0.13                                 | 22            | 0.06    | 11       | 240                     |

**Diann Bao Inc.**

[www.airmac.com.tw](http://www.airmac.com.tw)

✉ E-mail: [airmac@airmac.com.tw](mailto:airmac@airmac.com.tw)

☎ Tel: +886-4-7621838

☎ Fax: +886-4-7617617