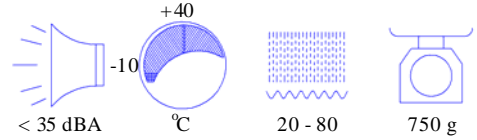
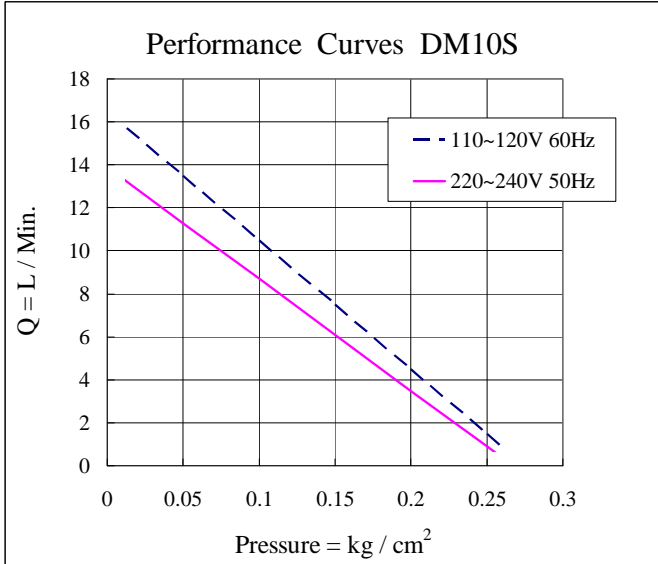


## Model No. DM10S

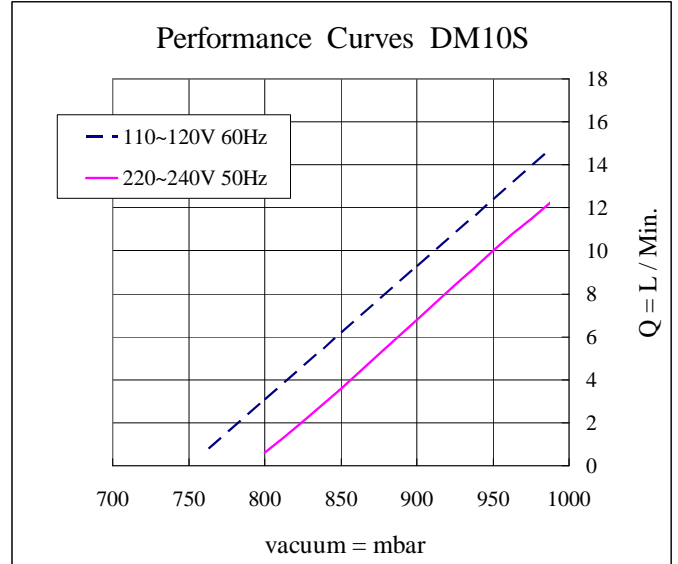
Performance / Rendimiento / Prestanda



★ Allowance : ±5%

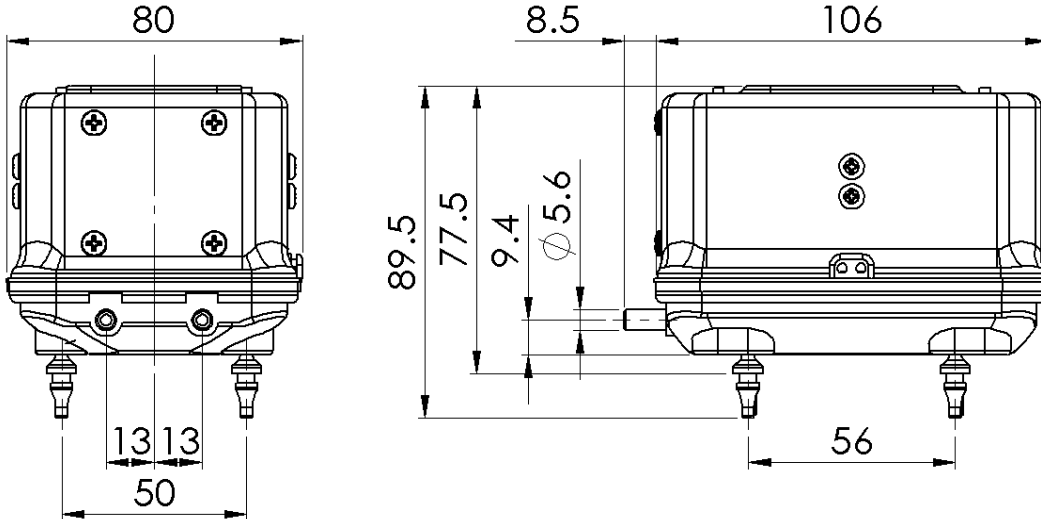


**Exhaust**



**Vol.suction**

Dimensions / Dimensioner (mm)



Model No.	Voltage (VAC)	Frequency (HZ)	Rated Pressure (kg/cm <sup>2</sup> )	Airflow (LPM)	AMP (A)	WATT (W)	Max. Vacuum (Milli bar)
DM10S	110 ~ 120	60	0.1	10.5	0.1	10	245
DM10S	220 ~ 240	50	0.1	9	0.05	9	210

**Diann Bao Inc.**

[www.airmac.com.tw](http://www.airmac.com.tw)

✉ E-mail: [airmac@airmac.com.tw](mailto:airmac@airmac.com.tw)

☎ Tel: +886-4-7621838

☎ Fax: +886-4-7617617