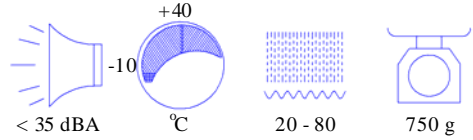
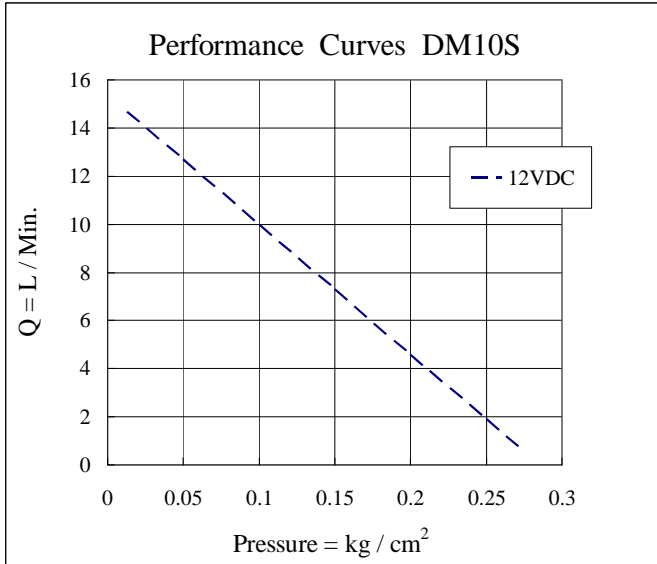


## Model No. DM10S-12VDC

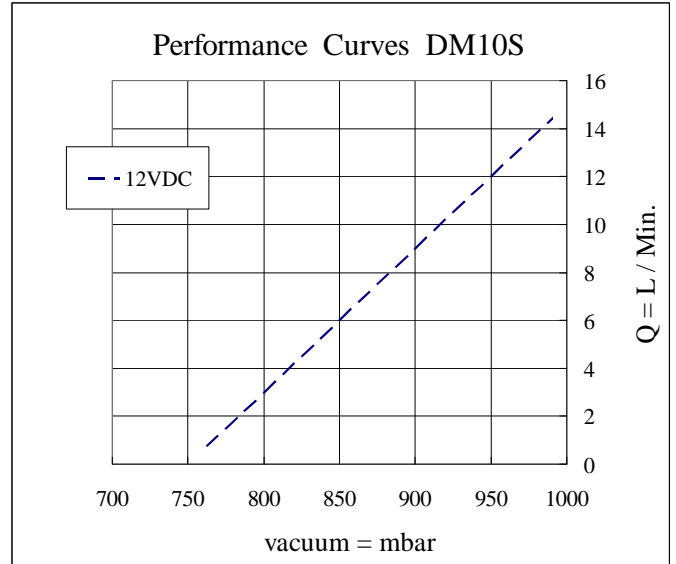
Performance / Rendimiento / Prestanda



★ Allowance : ±5%

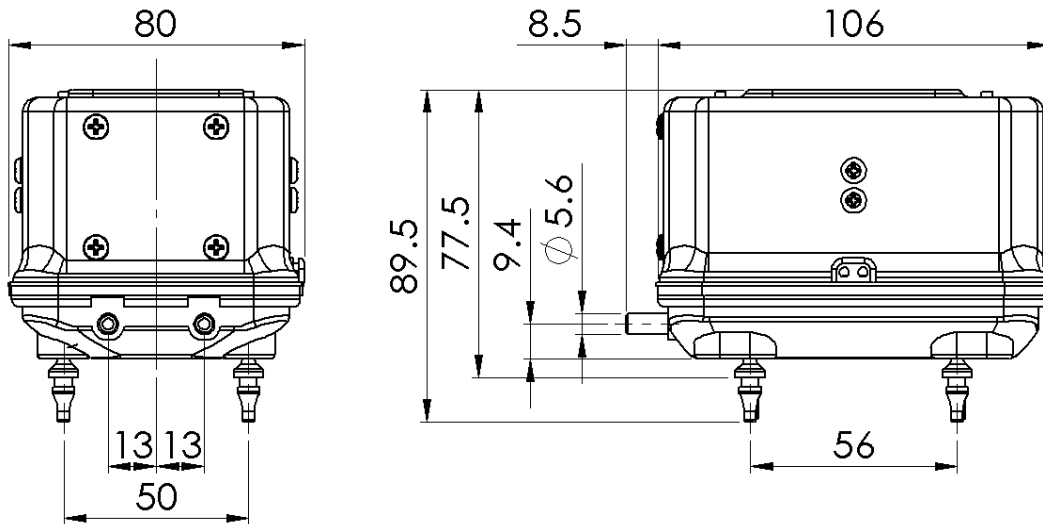


**Exhaust**



**Vol.suction**

Dimensions / Dimensioner (mm)



Model No.	Voltage (VDC)	Rated Pressure (kg/cm <sup>2</sup> )	Airflow (LPM)	AMP (A)	WATT (W)	Max. Vacuum (Milli bar)
DM10S-12VDC	12	0.1	10	1.2	15	250

**Diann Bao Inc.**

✉ E-mail: [airmac@airmac.com.tw](mailto:airmac@airmac.com.tw)

☎ Tel: +886-4-7621838

☎ Fax: +886-4-7617617

[www.airmac.com.tw](http://www.airmac.com.tw)